

Sensi Pro Double Compartment Sink With Right Drain Board

2 each 18" x 21" Bowl Size
Right 24" Drain Board
304 Stainless Steel
18 Gauge

8" on Center Faucet Holes

All Covered Corner Construction

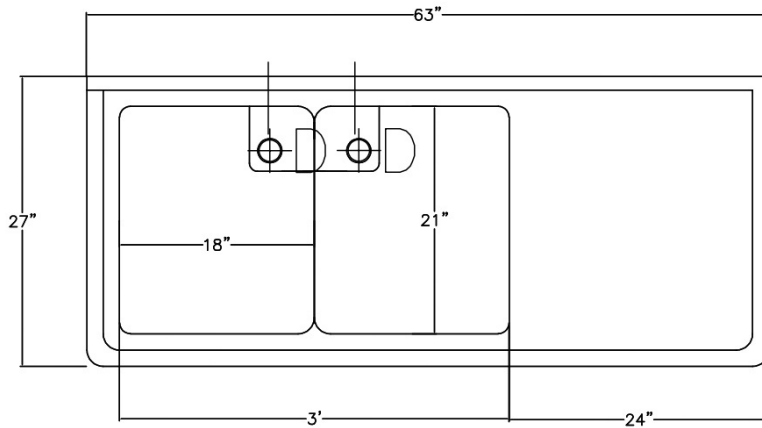
Overflow Tubes & Drain Assemblies Included

Galvanized Legs 1 5/8" dia

Stainless Steel Adjustable Feet

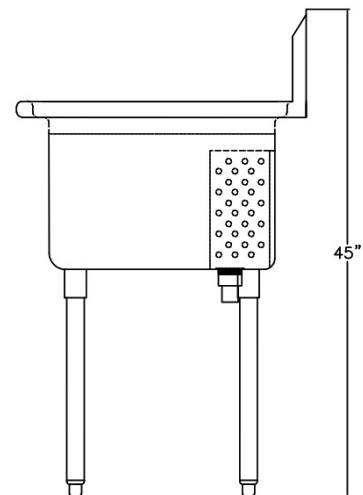
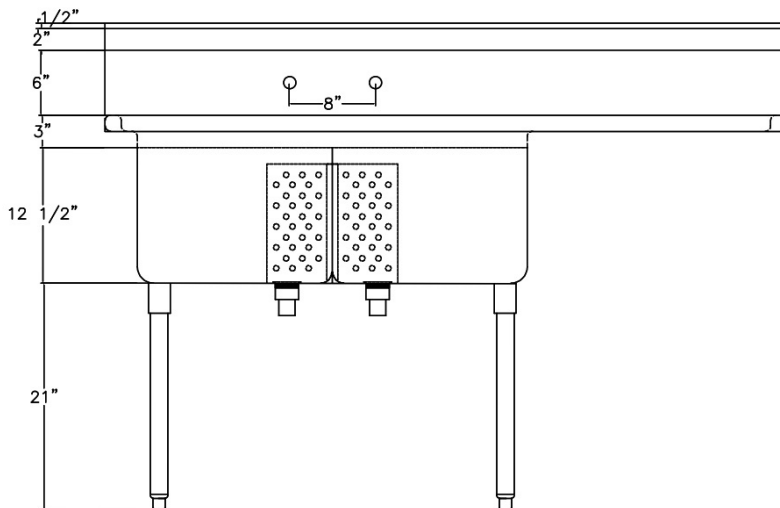
TAYLOR GROUP

 RMT DISTRIBUTORS
ATLANTIC CANADA



Model No.
SP1821-2- R24

OPTIONAL FAUCETS:
B-0231
B-0133-ADF12



SENSI PRO

ECONOMIZE WITHOUT COMPROMISE